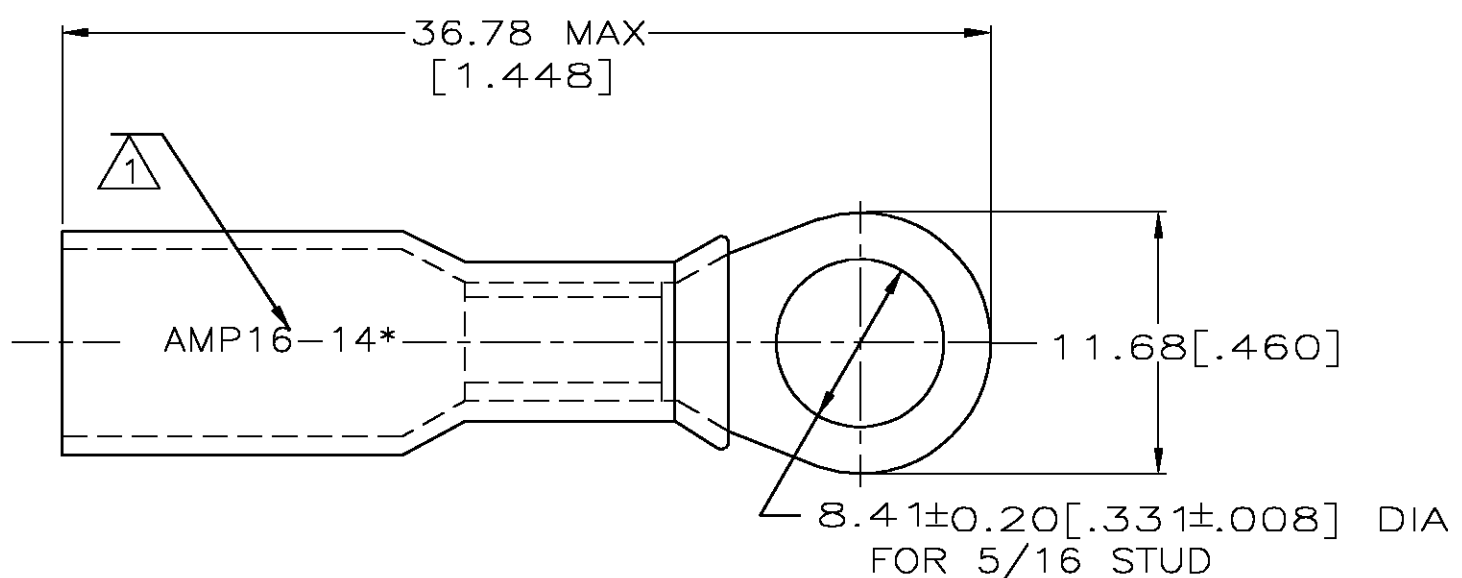


THIS DRAWING IS UNPUBLISHED. RELEASED FOR PUBLICATION .19
 © COPYRIGHT 19 BY AMP INCORPORATED. ALL INTERNATIONAL RIGHTS RESERVED.

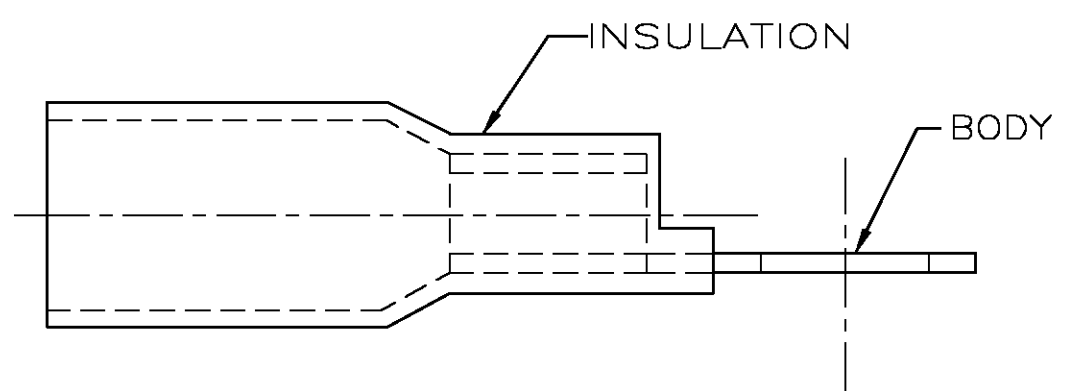
LOC	DIST	P	F	REVISIONS				
G	14			ZONE	LTR	DESCRIPTION	DATE	APPD
					B	REV PER 0G3A-0001-03	06JAN03	JR ME

AMP WIRE RANGE	Listed	Certified
16-14 AWG STRADED	16-14 AWG STRADED	16-14 AWG STRADED

METRIC
 DIMENSIONS LISTED IN mm [INCHES]



- NOTES:
- 1 STAMP AMP 16-14* APPROX AS SHOWN
 2. WIRE INSULATION DIA 4.83mm [.190] MAX
 3. TONGUE MATERIAL THK 0.81±0.05mm [.032±.002]



AMP INCORPORATED CUSTOMER SERVICE SYSTEMS	
FOR ADDITIONAL PRODUCT INFORMATION OR COPIES OF DRAWINGS AND TECHNICAL DOCUMENTS	PRODUCT INFORMATION CENTER 1-800-522-6752
FOR APPLICATION TOOLING INFORMATION	TOOLING ASSISTANCE CENTER 1-800-722-1111
FOR ORDER ENTRY	1-800-526-5142

MAX RECOMMENDED OPERATING
TEMPERATURE:
125° C MAX

VOLTAGE RATING:
600V MAX (BUILDING WIRING)
1000V MAX (FIXTURES & SIGNS)

CIRCULAR MIL AREA:
1.04-2.62mm² [2050-5180]
STRADED

DO NOT SCALE PRINT.
UNLESS SPECIFIED
DIMENSIONS IN mm [INCHES]
TOLERANCES ON:
2 PLC DEC ± 0.20 [.008]
3 PLC DEC ± -
ANGLES ± -

MATERIAL
BODY: ETP COPPER
INSULATION: POLYOLEFIN
COLOR: BLUE

FINISH
EDP TIN PLATED

50	LOOSE PIECE	8-55854-2
1000	LOOSE PIECE	55854-1
QTY	PACKAGE TYPE	PART NO
DR 6/93 S S GOULDEN	AMP AMP Incorporated Harrisburg, PA 17105-3608	
CHK 6/93 R HERSEY	NAME TERMINAL, RING TONGUE, SEALABLE HEAT SHRINKABLE	
APPD 6/93 B BARE	SIZE B	CAGE CODE 00779
APPD 6/93 M ELLIS	DRAWING NO C-55854	SHEET 1 OF 1
PRODUCT SPEC -	SCALE NTS	
APPLICATION SPEC -		
WEIGHT -		